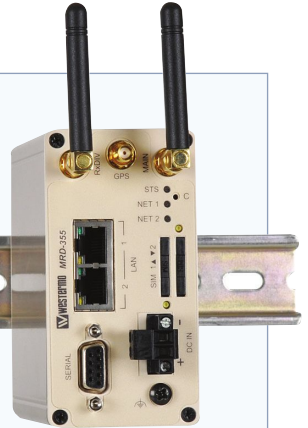


Industrial Mobile Broadband Router (3G)

MRD-355



- ⌘ Industrial remote access using the Internet
 - Economic and environmental benefits
 - Access SCADA systems, HMI and PLCs remotely
 - Wireless mobile broadband GPRS / EDGE / 3G / HSPA connection
- ⌘ Designed for industrial applications
 - Compact casing with proper DIN-rail mounting for easy integration
 - All LEDs and interfaces on the front of the unit for easy access
 - Isolated power supply to protect against transients and ground loops
- ⌘ Secured resilient Internet access
 - Dual SIMs to remove carrier dependency
 - Easy to use firewall prevents unauthorized access
 - Encrypted and secure data transmission with VPN-tunnels
- ⌘ A wide-variety of solutions to common communication issues
 - Connection manager monitors and ensures constant connectivity
 - Simple replacements of analogue leased lines
 - Ability to control and receive status changes via SMS



R&TTE
Radio and telecommunications
terminal equipment

EN 61000-6-2
Industrial Immunity

EN 61000-6-3
Residential Emission

EN 61000-6-4
Industrial Emission

Remote access removes boundaries, eliminates the need for time consuming site visits and provide a network infrastructure suitable for today's "always-on" society.

The MRD-355 industrial mobile broadband GPRS / EDGE / 3G router uses the Internet to cost effectively inter-connect systems, allowing HMI, PLCs, sensors etc to communicate with each other:

A compact design bundled with all interfaces and LEDs in the front make the unit extremely well suited for industrial applications. With isolation between the PSU and the Ethernet and serial ports the MRD-355 protects against issues caused by ground loops.

The dual SIM support in the device ensures that site connectivity is not dependent on a single carrier; should something happen the unit just switches to the other SIM.

Devices connected to the Internet require countermeasures towards cyber threats. The MRD-355 offers protection of transmissions from malicious eavesdroppers via encrypted communication tunnels (VPN), and features a simple, yet powerful, packet inspection firewall.

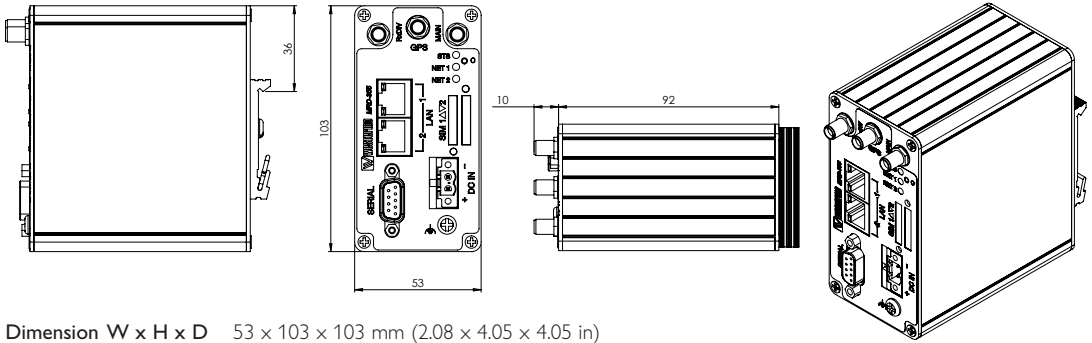
The MRD-355 with its built-in serial port offers a simple modem replacement solution with the benefit of not having to reprogram or change any other component.

Ordering Information

Art.no	Description
3623-0250	MRD-355 Industrial Mobile Broadband Router (3G) with dual SIM support
3125-0001	PS-30 Power Supply (Accessories)

Specifications MRD-355

Dimensional drawing



Dimension W x H x D 53 x 103 x 103 mm (2.08 x 4.05 x 4.05 in)
 Weight 0.4 kg
 Degree of protection IP 40

Power (isolated)	
Operating voltage	10 – 60 VDC
Rated voltage	12 – 48 VDC
Rated current	140 mA @ 24 VDC

Interfaces					
RS-232	1 x 300 bit/s – 115.2 kbit/s				
Ethernet TX	2 x 10 Mbit/s or 100 Mbit/s				
SIM	2 x SIM slot (3 volts SIM supported)				
Mobile/Cellular Technology	Max Connectivity Speed			Frequency (MHz)	
	Downlink	Uplink	Note		
GSM	14.4 kbit/s	14.4 kbit/s	–	850/900/1800/1900	
GPRS	85.6 kbit/s	85.6 kbit/s	Class 12		
EDGE	236.8 kbit/s	236.8 kbit/s	Class 12		
3G UMTS	384 kbit/s	384 kbit/s	–	800/850/900/ AWS 1700/1900/2100	
HSDPA	21.0 Mbit/s	–	Cat 14		
HSUPA	–	5.7 Mbit/s	Cat 6		
Antennas	Transmit (TX)	Receive (RX)	Required	Label	Connector
Main Antenna	YES	YES	YES	MAIN	SMA
Optional Antenna*	NO	YES	NO	RxDIV	SMA
GPS Antenna	–	–	NO	GPS	SMA

* Antenna connector labeled RxDIV is optional and used for receive diversity.

Temperature	
Operating	–40 to +70°C (–40 to +158°F)
Storage & Transport	–40 to +85°C (–40 to +185°F)

Agency approvals and standards compliance	
EMC	EN 55024, EN 55024 A1, EN 55024 A2, Electromagnetic compatibility – Immunity IT equipment
	EN 55022, EN 55022 A1, Information technology equipment.
	Radio disturbance characteristics. Limits and methods of measurement
Safety	EC/EN 60950-1, IT equipment

Protocols and Functionality

Ethernet Technologies	IEEE 802.3 for 10BaseT IEEE 802.3u for 100BaseTX
Cellular Technologies	Circuit Switched Data mode (CSD) GSM GPRS Multi-slot class 12, mobile station class B, PBCCH support, coding schemes CS 1-4 EDGE Multi-slot class 12 (max 236.8 kbit/s), mobile station class B, modulation and coding scheme MCS 1-9 3G (WCDMA / UMTS) 384 kbit/s downlink / uplink HSDPA up to 21.0 Mbit/s downlink HSUPA up to 5.7 Mbit/s uplink
Serial Port Technologies	RS-232 Serial Over IP (Serial Extender and Virtual Serial Port) Modem emulation AT command interpreter MODBUS DNP3 SMS
Layer-2 QoS	IEEE 802.1p Class of Service
IP Routing, Firewall, VPN and Cyber Security	Static IP routing Dynamic IP routing <ul style="list-style-type: none"> • RIPv1/v2 VRRP GRE Stateful inspection Firewall / ACL, NAT, Port Forwarding 25 x IPsec VPN, PSK & X.509, Fail-over 1 x L2TP client 1 x PPTP client 1 x OpenVPN / SSL VPN client Simple Certificate Enrollment Protocol (SCEP) RADIUS PPP Dial in/Dial out
Manageability	Management tools <ul style="list-style-type: none"> • Web interface (HTTP and HTTPS) • Command Line Interface (CLI) via SSHv2 and TELNET • SNMPv1/v2c/v3 • SMS Control Flexible alarm/event handling system Syslog (log files and remote syslog server) SNTP (NTP client) DHCP client DHCP server DDNS (Dynamic DNS update client)