

INJ-24 Series

Gigabit IEEE 802.3af/at PoE+ injectors



- > PoE+ injector for 10/100/1000M networks; inject power and data to PD (Power Device) equipment
- > IEEE 802.3af/at compliant; supports a full 30 watt output
- > 24/48 VDC wide range power input
- > -40 to 75°C operating temperature range (T model)



Specifications

Technology

Standards:

- IEEE 802.3af/at for Power-over-Ethernet
- IEEE 802.3 for 10BaseT
- IEEE 802.3u for 100BaseT(X)
- IEEE 802.3ab for 1000BaseT(X)

Interface

RJ45 Ports: 10/100/1000BaseT(X) for PoE OUT and DATA IN

PoE Pinout: V+, V+, V-, V- for pin 4, 5, 7, 8 (Midspan, MDI Alternative B)

Power Requirements

Input Voltage: 24/48 VDC, single input

Operating Voltage: 22 to 57 VDC

Input Current: 1.42 A @ 24 VDC

Overload Current Protection: Present

Connection: 1 removable 3-contact terminal block

Reverse Polarity Protection: Present

Power Consumption: Max. 4.08 W full loading without PD's consumption

Power Budget: Max. 30 W for 1 PD's consumption

Physical Characteristics

Housing: Plastic

IP Rating: IP30 protection

Dimensions: 24.9 × 100 × 86.2 mm (0.98 × 3.93 × 3.39 in)

Weight: 115 g (0.26 lb)

Installation: DIN-rail mounting

Environmental Limits

Operating Temperature:

Standard Models: 0 to 60°C (32 to 140°F)

Wide Temp. Models: -40 to 75°C (-40 to 167°F)

Storage Temperature: -40 to 85°C (-40 to 185°F)

Ambient Relative Humidity: 5 to 95% (non-condensing)

Standards and Certifications

Safety: UL 508, EN 60950-1 (LVD)

EMC: EN 55022/24

EMI: CISPR 22, FCC Part 15B Class A

EMS:

IEC 61000-4-2 ESD: Contact: 6 kV; Air: 8 kV

IEC 61000-4-3 RS: 80 MHz to 1 GHz: 10 V/m

IEC 61000-4-4 EFT: Power: 2 kV; Signal: 1 kV

IEC 61000-4-5 Surge: Power: 2 kV; Signal: 2 kV

IEC 61000-4-6 CS: Signal: 10 V

IEC 61000-4-8

Shock: IEC 60068-2-27

Freefall: IEC 60068-2-32

Vibration: IEC 60068-2-6

Note: Please check Moxa's website for the most up-to-date certification status.

MTBF (mean time between failures)

Time: 2,525,278 hrs

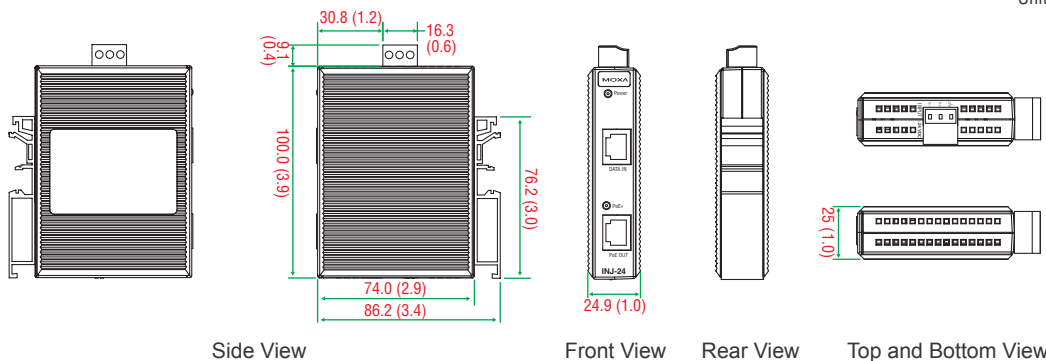
Standard: Telcordia (Bellcore), GB

Warranty

Warranty Period: 5 years

Details: See www.moxa.com/warranty

Dimensions



Ordering Information

Available Models

INJ-24: PoE+ Injector, maximum output of 30 W at 24/48 VDC, 0 to 60°C operating temperature

INJ-24-T: PoE+ Injector, maximum output of 30 W at 24/48 VDC, -40 to 75°C operating temperature

Package Checklist

- INJ-24 PoE+ injector
- Hardware installation guide (printed)
- Warranty card