

MAT-5G-PA-SM-2-06-3m Series

Wireless MIMO panel antennas with 2 SMA (male) connectors for cellular applications



Features and Benefits

- Supports all global LTE bands
- High-gain antenna to enhance performance
- 2-in-1 LTE combination design
- Flexible installation
- 3-meter cable
- SMA connector (male) supported

Introduction

The MAT-5G-PA-SM-2-06-3m Series is a 2-in-1 panel antenna suitable for GSM, UMTS, LTE, and 5G NR bands. The antenna provides a gain of 6 dBi and is designed to operate in temperatures ranging from -40 to 85°C.

Specifications

Antenna Characteristics

Frequency	617 to 960, 1427 to 1510, 1710 to 2170, 2300 to 2690 MHz
Antenna Type	Panel
Typical Antenna Gain	1.55 dBi @ 617 to 698 MHz (5G NR n71) 4.32 dBi @ 698 to 824 MHz (LTE 700) 5.18 dBi @ 824 to 960 MHz (GSM 850/900) 6.69 dBi @ 1427 to 1510 MHz (5G NR n74, 75, 76) 6.80 dBi @ 1710 to 1880 MHz (DCS) 7.10 dBi @ 1850 to 1990 MHz (PCS) 7.10 dBi @ 1920 to 2170 MHz (UMTS1) 5.41 dBi @ 2300 to 2690 MHz (LTE 2600)
Connector	SMA (male)
Impedance	50 ohms
Polarization	Linear Vertical

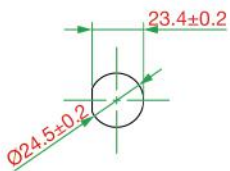
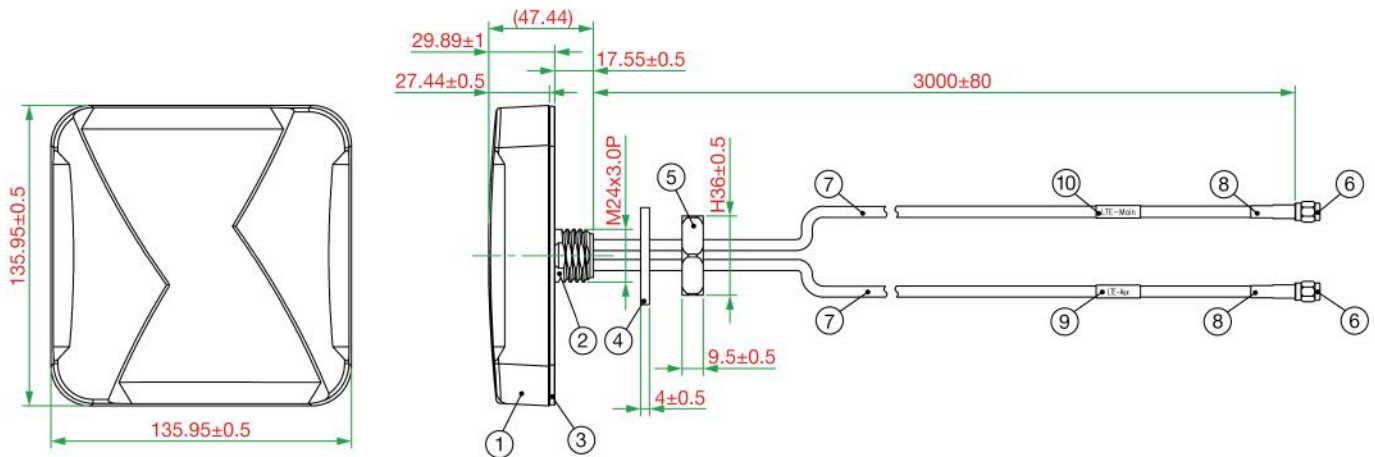
Physical Characteristics

Dimensions	135.95 x 135.95 x 47.44 mm (5.35 x 5.35 x 1.87 in)
Radome Color	Black
Radome Material	Plastic
Installation	Screw mount
Cable	SNC200

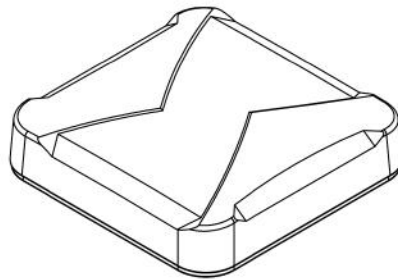
Cable Length	3 m
IP Rating	IPx9K
Environmental Limits	
Operating Temperature	-40 to 85°C (-40 to 185°F)
Storage Temperature (package included)	-40 to 85°C (-40 to 185°F)
Ambient Relative Humidity	5 to 95% (30°C, non-condensing)
Warranty	
Warranty Period	1 year
Details	See www.moxa.com/warranty

Dimensions

Unit: mm



Recommend assembly
hole diameter
Recommended installation torque:
50.00 kgf-cm



3D View

No	NAME
1	Top Housing
2	Bottom Base
3	Adhesive
4	Washer
5	Nut
6	SMA Straight Plug Crimp
7	Cable SNC200
8	Heat Shrink Tube
9	LTE-Aux Heat Shrink Tube
10	LTE-Main Heat Shrink Tube

Ordering Information

Model Name	Frequency	Antenna Type	Antenna Gain	Connector Type
MAT-5G-PA-SM-2-06-3m	617 to 960 MHz, 1427 to 1510 MHz, 1710 to 2170 MHz, 2300 to 2690 MHz	Panel	6 dBi	SMA (male)

© Moxa Inc. All rights reserved. Updated May 23, 2023.

This document and any portion thereof may not be reproduced or used in any manner whatsoever without the express written permission of Moxa Inc. Product specifications subject to change without notice. Visit our website for the most up-to-date product information.