

ANT-WSB5-PNF-16 Series

16 dBi at 5 GHz, N-type (female), single-band directional antenna



Features and Benefits

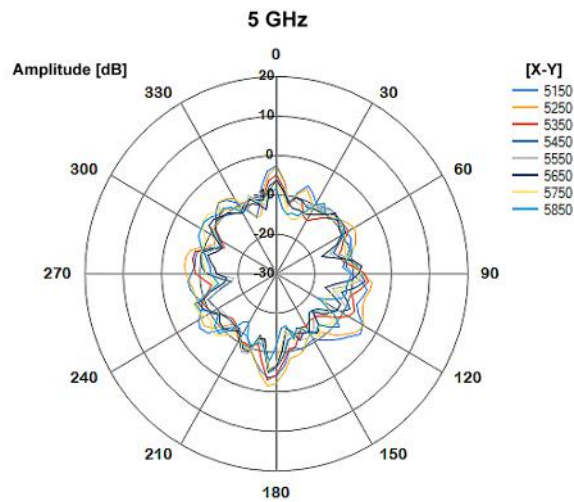
- High gain antenna
- N-type (female) connector supported

Introduction

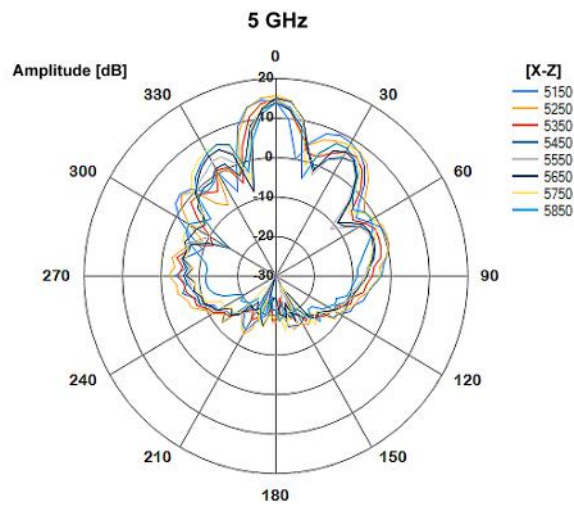
The ANT-WSB5-PNF-16 is a single-band high-gain directional panel antenna with a waterproof N-type female connector. The antenna provides a gain of 16 dBi at 5 GHz. The IP65-rated housing, pole-mounting support, and wide operating temperature range of -40 to 85°C make it suitable for outdoor use.

Field Patterns

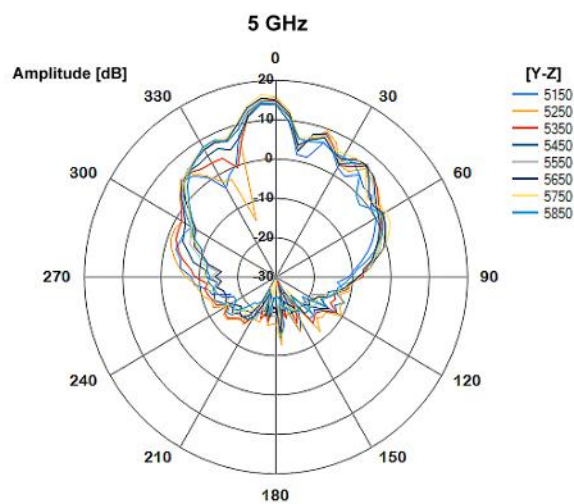
X-Y Plane



X-Z Plane



Y-Z Plane



Specifications

Antenna Characteristics

Frequency	5.15 to 5.85 GHz
Antenna Type	Directional, Panel
Typical Antenna Gain	16 dBi
Connector	N-type (female)
Impedance	50 ohms
HPBW/Horizontal	30°
HPBW/Vertical	23°
V.S.W.R.	1:2.0 max.
Power Handling	10 W (max.)
Polarization	Vertical

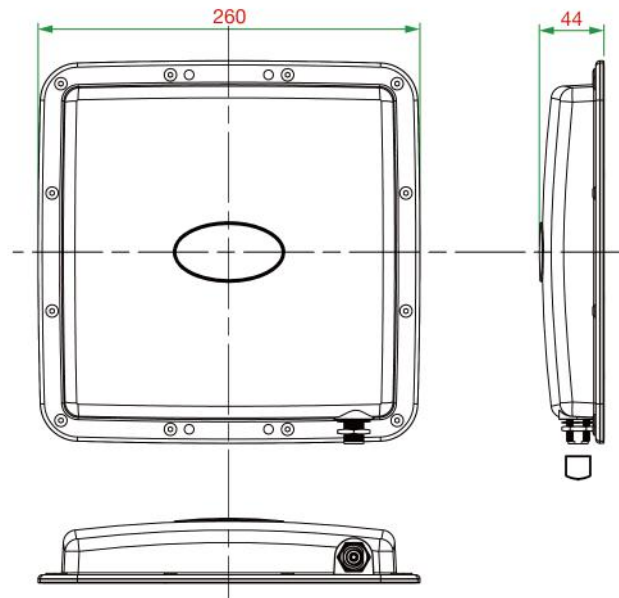
Physical Characteristics

IP Rating	IP65
Dimensions	260 x 260 x 44 mm (10.27 x 10.27 x 1.73 in)

Weight	807 g (1.78 lb)
Radome Material	PC and ABS
Installation	Pole mount
Radome Color	White
Environmental Limits	
Operating Temperature	-40 to 85°C (-40 to 185°F)
Storage Temperature (package included)	-40 to 85°C (-40 to 185°F)
Warranty	
Warranty Period	1 year
Details	See www.moxa.com/warranty

Dimensions

Unit: mm



Ordering Information

Model Name	Frequency	Antenna Type	Antenna Gain	Connector Type
ANT-WSB5-PNF-16	5.15 to 5.85 GHz	Directional, panel	16 dBi	N-type (female)

© Moxa Inc. All rights reserved. Updated Jul 22, 2022.

This document and any portion thereof may not be reproduced or used in any manner whatsoever without the express written permission of Moxa Inc. Product specifications subject to change without notice. Visit our website for the most up-to-date product information.