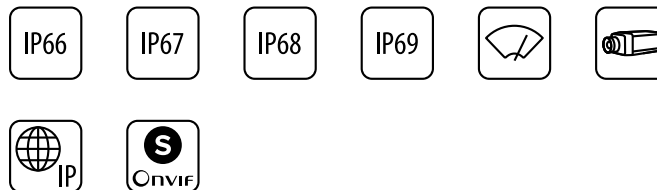


NXPTZHD

HD PTZ CAMERA FOR ONSHORE/OFFSHORE, MARINE AND INDUSTRIAL AREAS



NXPTZHD



NXPTZHD

DESCRIPTION

The NXPTZHD is an exceptional PTZ camera perfect for heavy-duty tasks and ideal to operate in the harshest and most corrosive environments, such as industrial and offshore/onshore marine applications.

This PTZ camera ensures long-term performance, with low maintenance and is made entirely out of AISI316L stainless steel. Its resistance to corrosion is not only guaranteed, but is also enhanced by way of polishing processes.

The Full HD Day/Night camera, available in 30x zoom, 1080p, accurately identifies the details of a scene delivering from 2 to 4 H.264/AVC or MJPEG video streams simultaneously, up to a total of 20Mbps, depending on system configuration.

The flexible operator control of Pan/Tilt/Zoom functions allows the images transmission over Ethernet with H.264/AVC and MJPEG compression, certified ONVIF, Profile S.

The Videotec's PTZ ASSISTANT plug-in software supports any VMS with the control of all special functions such as wiper and washer pump.

An equally noteworthy point is that the IP66/IP67/IP68 ratings guarantee the complete protection against harsh weather and immersion in up to 1 metre of water for 2 hours. Moreover the IP69 rating allows the device to be cleaned with high pressure and high temperature water jets.

The NXPTZHD is always supplied with integrated wiper; wide choice of tanks with washer pump available with different capacities and delivery heights.

The NXPTZ series products are Lloyd's Register Type Approval System Test Specification Number 1 certified and therefore can be used in Marine and Offshore applications for environmental categories ENV1, ENV2, ENV3 and ENV5 (eg. passenger ships, open-air decks, closed spaces and technical areas that may be subject to heat generated by other equipment, docking procedures).

CERTIFICATIONS



MAIN FEATURES

In stainless steel AISI 316L, micro-shot peened in silicon and electro-polished
Camera Full HD 1080p, 30x, 60fps

Minimum Illumination:

- Colour: 1.4lx, F1.6 AGC on, 1/30s 50 IRE (Normal mode)
- Colour: 0.35lx, F1.6 AGC on, 1/30s, 50 IRE (High Sensitivity mode)
- B/W: 0.05lx, F1.6 AGC on, 1/30s, 50 IRE (Normal mode)
- B/W: 0.013lx, F1.6 AGC on, 1/30s, 50 IRE (High sensitivity mode)

Day/Night (Auto ICR: automatic removal of IR filter)

De-fog function

Video compression H.264/AVC and MJPEG

Certified ONVIF, Profile S

Up to 4 simultaneous video streams

Variable speed: from 0.1°/s up to 100°/s Pan and Tilt

Position accuracy: 0.02°

Pre-wired multipolar cable (3m (9.8ft))

Integrated wiper

Total control of the auxiliary functions through the Videotec PTZ ASSISTANT

Operating temperature: from -40°C (-40°F) up to +60°C (140°F)

Protection degree: IP66, IP67, IP68, IP69

Marine Certification: Lloyd's Register Marine Type Approval

TECHNICAL DATA

MECHANICAL

AISI 316L stainless steel construction
External surfaces micro-shot peened in silicon and electro-polished
Pre-wired multipolar cable (3m (9.8ft))
Horizontal rotation: 360°, continuous rotation
Vertical rotation: from -90° up to +90°
Horizontal speed (variable): from 0.1°/s up to 100°/s
Tilt speed (variable): from 0.1°/s up to 100°/s
Accuracy of preset positions: 0.02°
Integrated wiper
Unit weight: 22kg (44lb)

ELECTRICAL

Supply voltage/Current consumption:

- 230Vac, 0.5A max, 50/60Hz
- 24Vac, 5A max, 50/60Hz
- 120Vac, 1A max, 50/60Hz

Power consumption:

- 120W max

NETWORK

Ethernet connection: 10BASE-T/100BASE-T
Connector: RJ45
Cable length: 100m max

I/O INTERFACE

I/O alarm board:

- Alarm inputs: 1
- Relay outputs: 1 (1A, 30Vac/60Vdc max)

VIDEO

Video encoder

- Communication protocol: ONVIF, Profile S
- Device configuration: TCP/IPv4-IPv6, UDP/IPv4-IPv6, HTTP, HTTPS, NTP, DHCP, WSDISCOVERY, QoS, DSCP, IGMP (Multicast), SOAP, DNS, SNMP
- Streaming: RTSP, RTCP, RTP/IPv4, Multicast
- Video compression: H.264/AVC, MJPEG
- 2 independent video streams Full HD or 4 independent video streams depending on the configuration
- Image resolution: from FullHD to 352x240 in 18 steps
- Selectable frame rate from 1 to 60 images per second (fps)
- Web Server
- Directional OSD
- Motion detection

CAMERAS

Day/Night Full HD 30x

Resolution: Full HD 1080p (1920x1080pixel)
Image Device: 1/2.8 type Exmor™ CMOS sensor
Effective Pixels: approx. 2.38 Megapixels
Minimum Illumination, colour (ICR-OFF):

- 1.4lx, 1/30s, 50 IRE (Normal mode)
- 0.35lx, 1/30s, 50 IRE (High sensitivity mode)
- 0.19lx, 1/3s, 50 IRE (Normal mode)
- 0.05lx, 1/3s, 50 IRE (High sensitivity mode)

Minimum Illumination, B/W (ICR-ON):

- 0.05lx, 1/30s, 50 IRE (Normal mode)
- 0.013lx, 1/30s, 50 IRE (High sensitivity mode)
- 0.002lx, 1/3s, 30 IRE (High sensitivity mode)

Lens: f=4.3 mm (wide) ~ 129.0 mm (tele), from F1.6 to F4.7
Zoom: 30x (360x with digital zoom)
Horizontal Viewing Angle: from 63.7° (wide end) up to 2.3° (tele end)
Minimum object distance: from 10mm (wide) up to 1200mm (tele)
Shutter speed: 1/1 to 1/10000 s, 22 steps
White balance: Auto, ATW, Indoor, Outdoor, Outdoor Auto, Sodium vapor lamp (Fix, Auto, Outdoor Auto), One-push, Manual
Gain: Auto, Manual, Gain Limit (from 3dB up to 43dB, steps: 3dB)
Wide Dynamic Range: On/Off/Visibility enhancer, Light level, Brightness Compensation selection, Compensation level
Focus System: Auto (Sensitivity: Normal, Low), One-push AF, Manual, Focus compensation with ICR On, Interval AF, Zoom trigger AF
Picture Effects: E-flip, Mirror image, Color enhancement
Exposure Control: Auto, EV Compensation, Manual, Priority (Shutter priority, Iris priority), Brightness, Slow AE
S/N Ratio: more than 50dB
Wide-D (wide dynamic range): Yes (130dB)
De-fog: Yes (On/Off)
Backlight Compensation: Yes

ENVIRONMENT

For installation indoors and outdoors
Operating temperature: from -40°C (-40°F) up to +60°C (140°F)

CERTIFICATIONS

Electrical safety (CE): EN60950-1, IEC60950-1
Electromagnetic compatibility:

- CE: EN50130-4, EN55032 (Class A), EN61000-6-4
- FCC: Part 15 (Class A)
- ICES-003 (Class A)

Outdoor installation (CE): EN60950-22, IEC 60950-22
IP protection degree: EN60529

- IP66/IP67/IP68/IP69

UL certification: cULus Listed (TYPE 4X, only for 24Vac versions)
EAC certification
Lloyd's Register Marine Type Approval (the 24Vac versions require a filter accessory FM1010)

- Test Specification Number 1:2015 (ENV1, ENV2, ENV3, ENV5)

ACCESSORIES

WASPT0V5L5M00	Water tank 5l (1.3gal), pump with delivery up to 5m (16ft), IN 230Vac-24Vac-120Vac
WASPT0V23L5M00	Water tank 23l (6 gal), pump with delivery up to 5m (16ft), IN 230Vac-24Vac-120Vac
WASPT0V23L11M00	Water tank 23l (6 gal), pump with delivery up to 11m (36ft) with water floating, IN 230Vac-24Vac-120Vac
WASPT1V23L30M00	Water tank 23l (6 gal), pump with delivery up to 30m (98ft) with water floating, IN 230Vac
WASPT3V23L30M00	Water tank 23l (6 gal), pump with delivery up to 30m (98ft) with water floating, IN 120Vac
WASN1V10L20M00	Tank 10l (2.6gal) with integrated manual pump controlled by solenoid valve, delivery head up to 20m (66ft) max, IN 230Vac
WASN2V10L20M00	Tank 10l (2.6gal) with integrated manual pump controlled by solenoid valve, delivery head up to 20m (66ft) max, IN 24Vac
WASN3V10L20M00	Tank 10l (2.6gal) with integrated manual pump controlled by solenoid valve, delivery head up to 20m (66ft) max, IN 120Vac
FM1010	EMC filter for Marine certification

BRACKETS AND ADAPTORS

NXPTZWB	AISI 316L stainless steel wall bracket
NXPTZTW	AISI 316L stainless steel parapet or ceiling mounting bracket
NXPTZCOL	AISI 316L stainless steel pole adapter module
NXPTZCW	AISI 316L stainless steel corner adapter module

PACKAGE

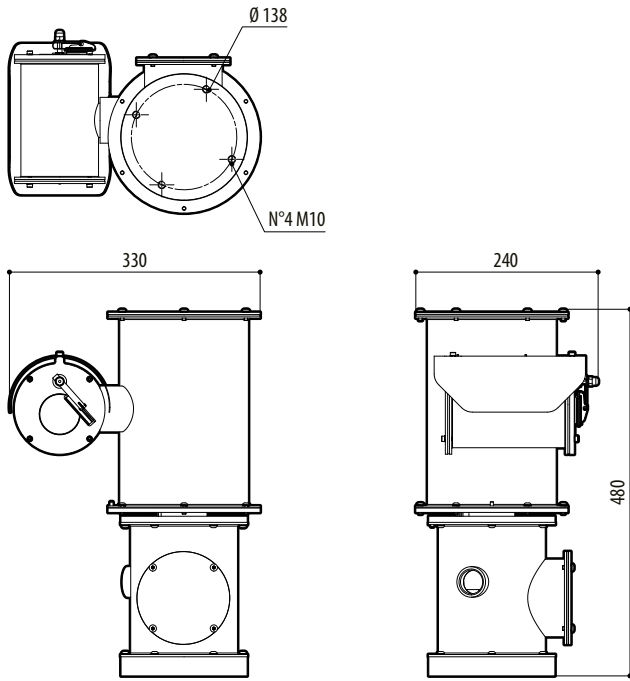
Model Number	Weight	Dimensions (WxHxL)	Master carton
NXPTZHD1FVW0Z00A	26.5kg (58lb)	54x31x49cm (21x12x19in)	-

NXPTZHD - CONFIGURATION OPTIONS

	Voltage					Video Output	
NXPTZHD	1 230Vac	F Day/Night camera 30X zoom, FullHD	V With alarm board	W With wiper	0	Z IP H.264/AVC, Protocol ONVIF Profile S	00A
	2 24Vac						
	3 120Vac						

TECHNICAL DRAWINGS

The measurements indicated are expressed in millimetres.



NXPTZHD