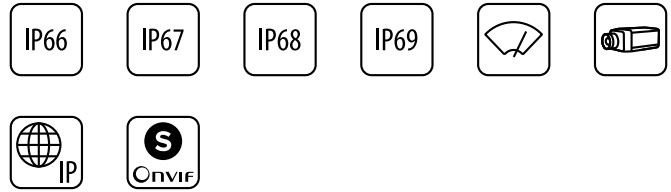


NXPTZ

DAY/NIGHT PTZ CAMERA FOR ONSHORE/OFFSHORE, MARINE AND INDUSTRIAL AREAS



NXPTZ



NXPTZ

DESCRIPTION

The NXPTZ is an exceptional integrated PTZ camera unit perfect for heavy-duty tasks and ideal to operate in the harshest and most corrosive environments, such as industrial and offshore/onshore marine applications.

NXPTZ requires minimum maintenance and is completely resistant to rust and corrosion, thanks to the maximum precision of the manufacturing processes and quality of the stainless steel AISI316L micro-shot peened in silicon and electropolished.

All models are available in Analogue or IP version.

The flexible operator control of pan/tilt/zoom functions allows the video transmission over the local area network (LAN) or over the Internet with H.264/AVC compression, compatible with ONVIF Profile S.

The Videotec's PTZ ASSISTANT plug-in software supports any VMS with the control of all special functions such as wiper and washer pump.

An equally noteworthy point is that the IP66/IP67/IP68 ratings guarantee the complete protection against harsh weather and immersion in up to 1 metre of water for 2 hours. Moreover the IP69 rating allows the device to be cleaned with high pressure and high temperature water jets.

The NXPTZ is always supplied with integrated wiper; wide choice of tanks with washer pump available with different capacities and delivery heights.

The NXPTZ series products are Lloyd's Register Type Approval System Test Specification Number 1 certified and therefore can be used in Marine and Offshore applications for environmental categories ENV1, ENV2, ENV3 and ENV5.

CERTIFICATIONS



MAIN FEATURES

In stainless steel AISI 316L, micro-shot peened in silicon and electro-polished
Day/Night camera:

- True Progressive Scan
- High resolution: up to 550 TV Lines
- Advanced image stabiliser (Stable Zoom Mode)
- Day/Night (Auto ICR: automatic removal of IR filter)

Up to 2 simultaneous video streams (IP-based version)

Variable speed: from 0.1°/s up to 100°/s Pan and Tilt

Position accuracy: 0.02°

Pre-wired multipolar cable (3m (118in))

Integrated wiper

Total control of the auxiliary functions through the Videotec PTZ ASSISTANT (IP-based version)

Operating temperature: from -40°C (-40°F) up to +60°C (140°F)

Protection degree: IP66, IP67, IP68, IP69

Marine Certification: Lloyd's Register Marine Type Approval

Options:

- IP-based control, H.264/AVC and JPEG, 25fps, Full D1 (compatible with ONVIF protocol, Profile S)

TECHNICAL DATA

GENERAL

Dynamic positioning control system
16-character string for zone and preset titling
Maximum number of presets: 250
Functions: Autopan, Preset, Patrol, Tour (maximum 3), Autoflip

MECHANICAL

AISI 316L stainless steel construction
External surfaces micro-shot peened in silicon and electro-polished
Pre-wired multipolar cable (3m (118in))
Horizontal rotation: 360°, continuous rotation
Vertical rotation: from -90° up to +90°
Horizontal speed (variable): from 0.1°/s up to 100°/s
Tilt speed (variable): from 0.1°/s up to 100°/s
Accuracy of preset positions: 0.02°
Integrated wiper
Housing window

- Material: Glass
- Thick: 6mm (0.24in)

Unit weight: 20.5kg (45lb)

ELECTRICAL

Supply voltage/Current consumption:

- 230Vac, 0.5A max, 50/60Hz
- 24Vac, 5A max, 50/60Hz
- 120Vac, 1A max, 50/60Hz

Power consumption:

- 120W
- 29W, P&T static, heating switched off

NETWORK

Connector (only for the IP versions of the product):

- RJ45, 10BASE-T/100BASE-T

SERIAL COMMUNICATIONS

Configuration through OSM
2 half-duplex serial RS-485 interfaces or full-duplex RS-422
Firmware updating from console in remote mode (PELCO D, VIDEOTEC MACRO)
Up to 999 units, addressable by means of dip-switches
Serial communication protocol: AMERICAN DYNAMICS, ERNITEC, PANASONIC, PELCO D, VIDEOTEC MACRO

VIDEO

Analog version:

- 1 video output, 75 Ohm, 1Vpp (PAL/NTSC)

IP version:

- Video encoder
 - Communication protocol: ONVIF, Profile S
 - Device configuration: TCP/IPv4-IPv6, UDP/IPv4-IPv6, HTTP, NTP, DHCP, WS-DISCOVERY, QoS, IGMP (Multicast)
 - Streaming: RTSP, RTCP, RTP/IPv4
 - Video compression: H.264/AVC, MJPEG
 - Independent video streams: 2
 - Image resolution: from Full D1 (720x576 for PAL, 720x480 for NTSC) to 352x240 in 18 steps
 - Web Server

I/O INTERFACE

I/O alarm board:

- Alarm inputs: 5
- Relay outputs: 2 (1A, 30Vac/60Vdc max)

ENVIRONMENT

For installation indoors and outdoors
Operating temperature: from -40°C (-40°F) up to +60°C (140°F)
Surge immunity: up to 2kV line to line, up to 4kV line to earth (Class 4)

CERTIFICATIONS

Electrical safety (CE): EN60950-1, IEC60950-1
Electromagnetic compatibility (CE): EN50130-4, EN55032 (Class A), EN61000-6-4, FCC Part 15 (Class A)
Outdoor installation (CE): EN60950-22, IEC 60950-22
IP protection degree: EN60529

- IP66/IP67/IP68/IP69

UL certification: cULus Listed (TYPE 4X, only for 24Vac versions)
EAC certification
Lloyd's Register Marine Type Approval (the 24Vac and 120Vac versions require a filter accessory FM1010)

- Test Specification Number 1:2015 (ENV1, ENV2, ENV3, ENV5)

ACCESSORIES

WASPTOV5L5M00	Water tank 5l (1 gal), pump with delivery up to 5m (16ft), IN 230Vac-24Vac-120Vac
WASPTOV23L5M00	Water tank 23l (6 gal), pump with delivery up to 5m (16ft), IN 230Vac-24Vac-120Vac
WASPTOV23L11M00	Water tank 23l (6 gal), pump with delivery up to 11m (36ft) with water floating, IN 230Vac-24Vac-120Vac
WASPT1V23L30M00	Water tank 23l (6 gal), pump with delivery up to 30m (98ft) with water floating, IN 230Vac
WASPT3V23L30M00	Water tank 23l (6 gal), pump with delivery up to 30m (98ft) with water floating, IN 120Vac
WASN1V10L20M00	Tank 10l with integrated manual pump controlled by solenoid valve, delivery head up to 20m (66ft) max, IN 230Vac
WASN2V10L20M00	Tank 10l with integrated manual pump controlled by solenoid valve, delivery head up to 20m (66ft) max, IN 24Vac
WASN3V10L20M00	Tank 10l with integrated manual pump controlled by solenoid valve, delivery head up to 20m (66ft) max, IN 120Vac
FM1010	EMC filter for Marine certification

BRACKETS AND ADAPTORS

NXPTZWB	AISI 316L stainless steel wall bracket
NXPTZTW	AISI 316L stainless steel parapet or ceiling mounting bracket
NXPTZCOL	AISI 316L stainless steel pole adapter module
NXPTZCW	AISI 316L stainless steel corner adapter module

PACKAGE

Model Number	Weight	Dimensions (WxHxL)	Master carton
NXPTZ1PWW000A	25kg (55lb)	54x31x49cm (21x12x19in)	-

ANALOGUE CAMERAS (DAY/NIGHT)		
	Day/Night 36x	
	PAL	NTSC
Optical zoom	36x	
Wide Dynamic Range (ON, OFF, Auto)	✓	
True progressive SCAN	✓	
Digital image stabilisation	✓	
White balance	Auto, ATW, Indoor, Outdoor (Fix/Auto), Sodium Vapor Lamp (Fix/Auto), Manual	
High horizontal resolution	Up to 550 TV Lines	
Day/Night (Auto ICR)	✓	
Image Sensor	1/4" EXView HAD CCD	
Number of effective Pixels	~ 440000 pixel	~ 380000 pixel
Min. Lighting Colour (IR-Cut Filter = OFF) (Interlace Mode)	1.4Lux / 1/50s 0.1 Lux / 1/3s	1.4Lux / 1/60s 0.1 Lux / 1/4s
Min. Lighting B/W (Interlace Mode)	0.01 Lux / 1/3s	0.01 Lux / 1/4s
"Shutter Time" automatic increase to improve the night surveillance	✓	
S/N ratio	More than 50dB	
AE control	Automatic, Shutter priority, Diaphragm priority, Brightness priority and Manual	
Back light compensation	On/Off	
Spherical masking (3D) of Privacy zones with automatic upgrade	✓	
Privacy Zone Masking	On/Off (24 positions)	
Maximum number of masking blocks to be displayed	8	
Resolution of masking blocks	160x120 HxV	
Masking	Up to 15 different masking types: 14 colour types or mosaic	
Focusing system	Auto (Sensitivity: Normal, Low), Trigger PTZ, Manual	
"Smart" lens control	Automatic Lens Reset	
High Zoom and Wide Horizontal Field of View Capability	✓	
Optical zoom	36x, f=3.4 (wide) to 122.4mm (tele) / F1.6 to F4.5	
Digital Zoom	12x (432x with optical zoom)	
Horizontal field of view	57.8 degrees (wide) to 1.7 degrees (tele)	
Minimum object distance	10mm (0.4in) (wide) to 1500mm (59.1in) (tele)	
Shutter speed	1/1 ÷ 1/10000s	

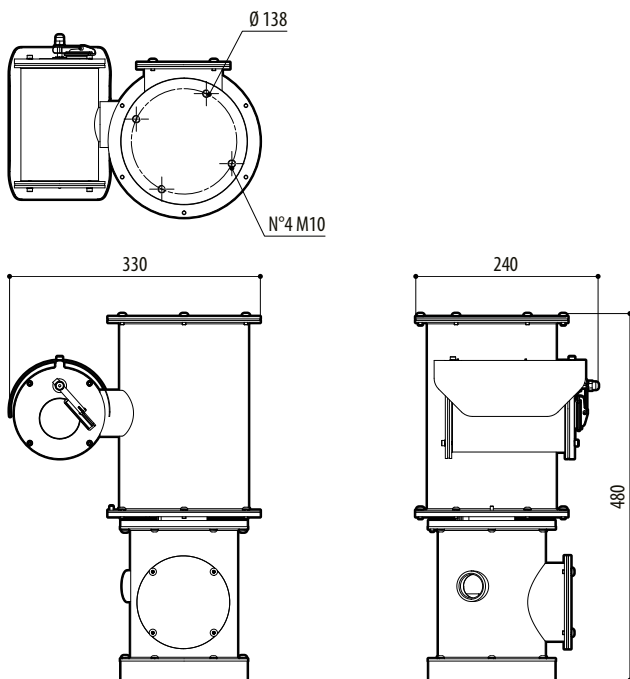
NXPTZ - CONFIGURATION OPTIONS

	Voltage	Day/Night camera				Video Output	
NXPTZ	1 230Vac	P Day/Night camera 36x optical zoom lens, PAL	V With alarm board	W With wiper	0	0 Analog control	00A
	2 24Vac	N Day/Night camera 36x optical zoom lens, NTSC				Z IP H.264/AVC control, Protocol ONVIF Profile S	
	3 120Vac						

Not all combinations are possible.

TECHNICAL DRAWINGS

The dimensions of the drawings are in millimetres.



NXPTZ